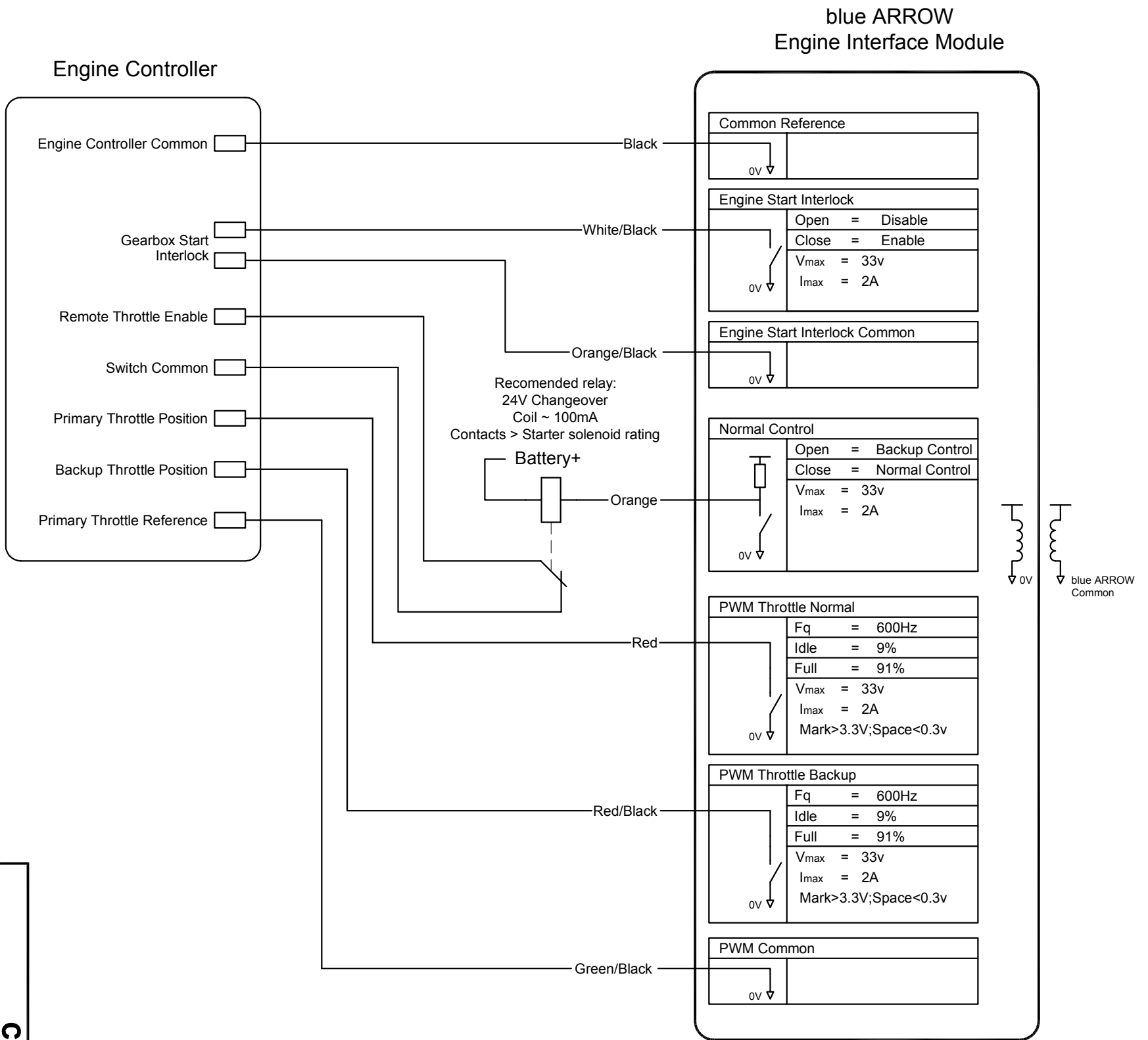


AMENDMENT		C. W. F. Hamilton & Co. Ltd Christchurch, New Zealand	
SECOND SHEET ADDED - DUAL THROTTLE CONTROL			
ECN	BY	DATE	
CL560	S.K.	02.03.09	
JET			
This print is provided on a restricted basis and is not to be used in any way detrimental to the interests of C. W. F. Hamilton Ltd			
MATERIAL	Certified	Weight (kg)	
Standard		Cast	M/C
Approvals	Name	Date	
Designed	F.K.	16.12.05	
Reviewed			
DESCRIPTION		UNLIMITED DIMENSIONS TO BE ±0.5	
blueARROW ENGINE SCHEMA B CONFIGURATION - CATERPILLAR SHEET 1 of 2		Scale N/A	
DWG No 204934		D	

Manufacturer	Model	Notes	Demand Type	Feedback Type	Idle RPM	Max RPM	Normal			F <sub>q</sub>	Idle Duty	Full Duty	Backup			
							Low Level	High Level	EngDmd Mode				EngDmd Hi	EngDmd Lo	EngDmd A	EngDmd B
Caterpillar	C18, C9	No Secondary Throttle	PWM Open drain	Jet	TBC#	TBC#	N/A*	N/A*	600	9%	91%	PWM open drain No pullup	15900	2400	0	0

Notes

- # Enter values set for particular installation. If gearbox fitted adjust to give jet shaft RPM
- \* Leave at factory defaults



AMENDMENT		MATERIAL		Weight (kg)		DESCRIPTION	
SEE SHEET 1 FOR AMENDMENTS		Certified	Cast	UNLIMITED DIMENSIONS TO BE 30.5		blueARROW ENGINE SCHEMA B CONFIGURATION - CATERPILLAR SHEET 2 of 2	
ECN	BY	DATE	Standard	M/C	Scale	DWG No 204934	
JET			Approvals			D	
			Name	Date			
			F.K.	16.12.05			
This print is provided on a restricted basis and is not to be used in any way detrimental to the interests of C. W. F. Hamilton Ltd							

**C. W. F. Hamilton & Co. Ltd Christchurch, New Zealand**

Manufacturer	Model	Notes	Normal									Backup				
			Demand Type	Feedback Type	Idle RPM	Max RPM	Low Level	High Level	Fq	Idle Duty	Full Duty	EngDmd Mode	EngDmd Hi	EngDmd Lo	EngDmd A	EngDmd B
Caterpillar	C18, C9	Dual Throttle	PWM Open drain	Jet	TBC#	TBC#	N/A*	N/A*	600	9%	91%	PWM open drain No pullup	15900	2400	0	0

Notes  
 # Enter values set for particular installation. If gearbox fitted adjust to give jet shaft RPM  
 \* Leave at factory defaults