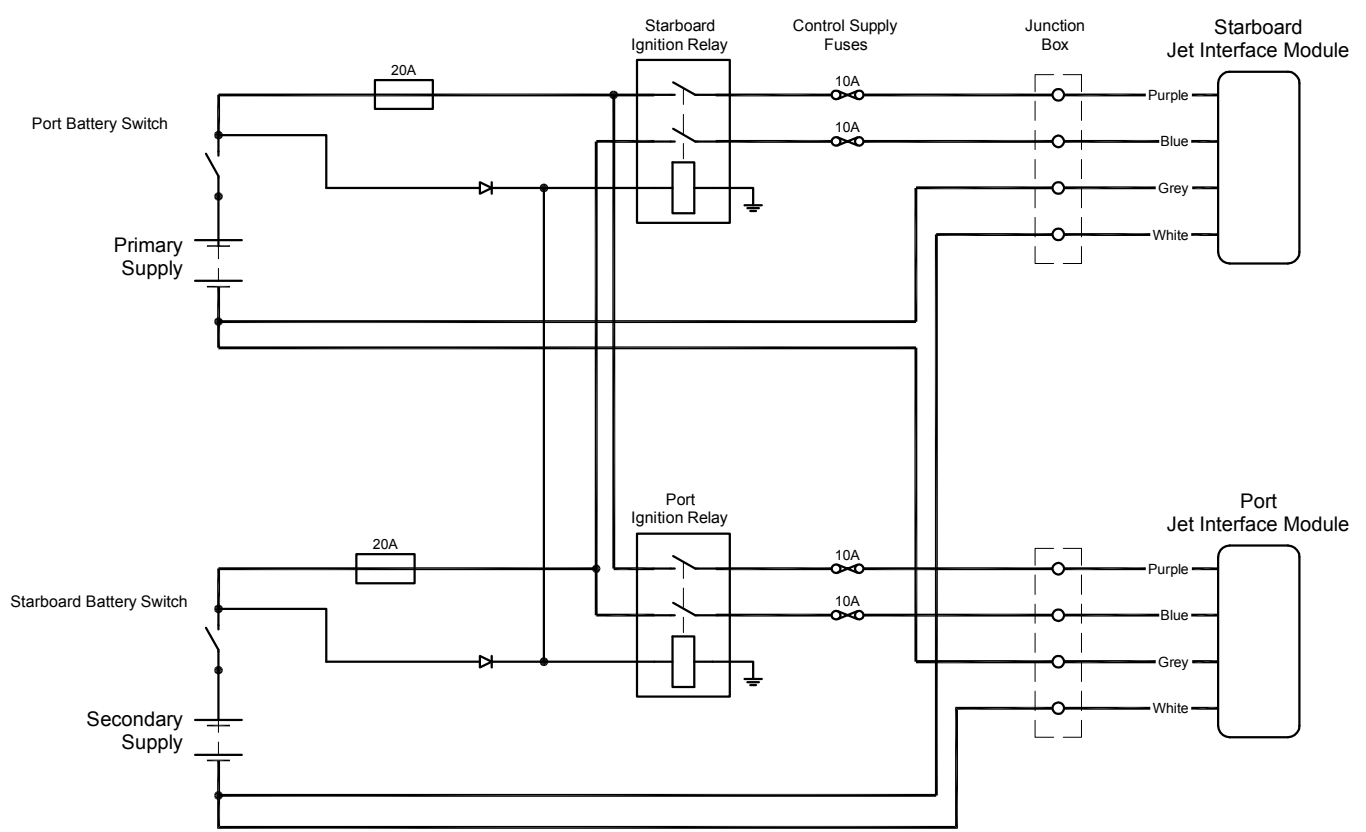
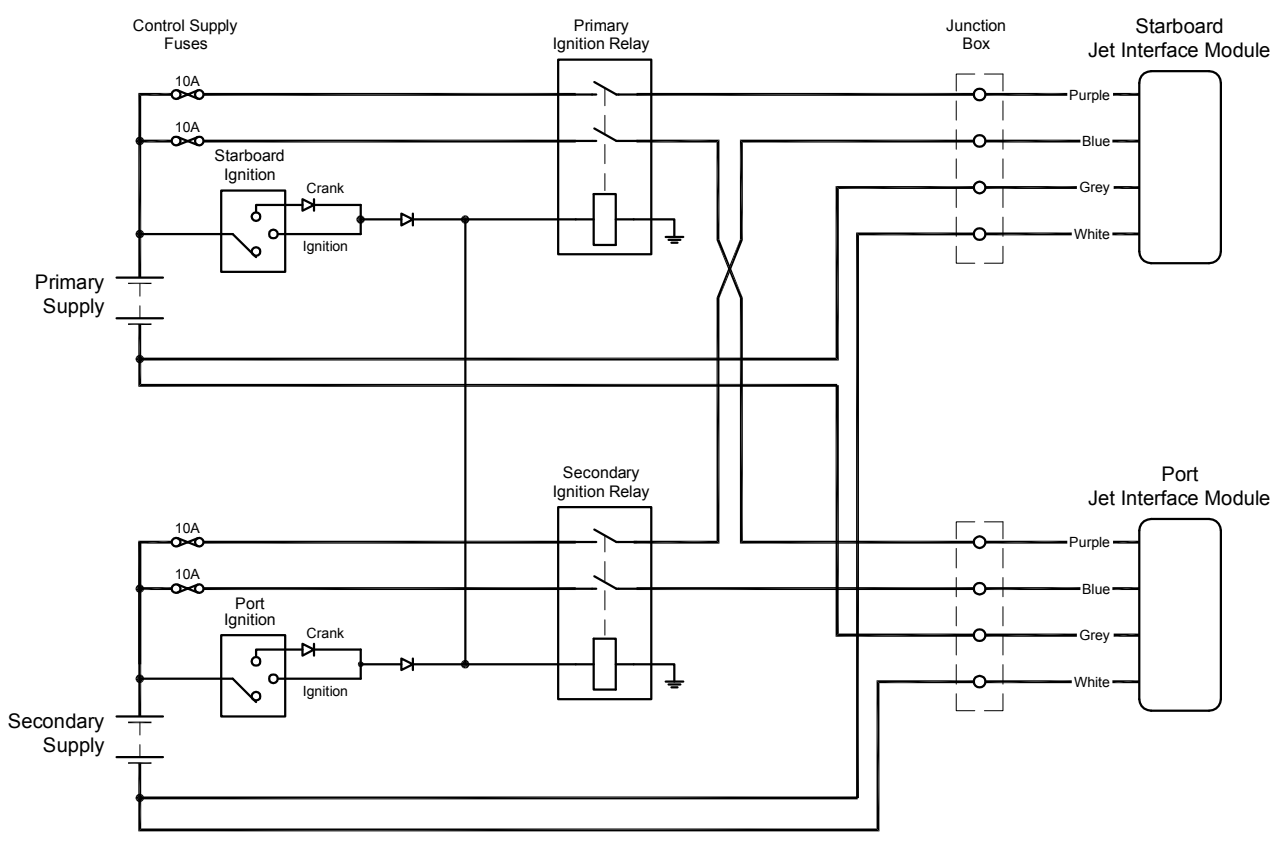


Single Jet Power Supply Arrangement



Twin Jet Power Supply for Volvo Engine



Twin Jet Power Supply Arrangement

Note:
blue ARROW must have separate and independant
Primary and Secondary power supplies.

C. W. F. Hamilton & Co. Ltd Christchurch, New Zealand									
AMENDMENT				MATERIAL		Weight (kg)		✓ = N9 EXCEPT AS STATED	
C - CIRCUIT DIAGRAM ADDED.				Certified		Cast		UNLIMITED DIMENSIONS TO BE ±0.5	
B - SINGLE JET ARRANGEMENT ADDED						M/C		Scale	
WIRING MODS TO TWIN JET ARRANGEMENT				Standard		DESCRIPTION			
				Approvals		blueARROW RECOMMENDED			
				Name		POWER SUPPLY SCHEMA			
ECN	CL662	BY	J.S.R	DATE	14.03.11	Date			
JET			Designed		F.K.	16.12.05			
This print is provided on a restricted basis and is not to be used in any way detrimental to the interests of C. W. F. Hamilton Ltd				Reviewed				DWG No 204937	

C
DWG No 204937